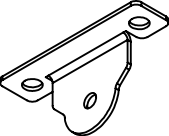
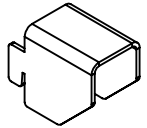
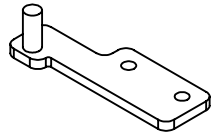
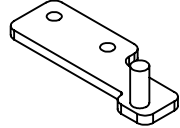
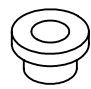
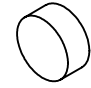

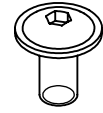
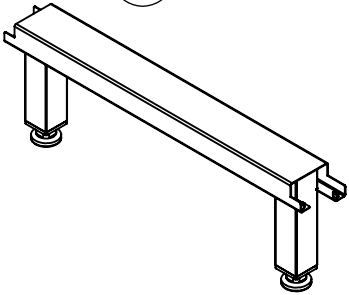
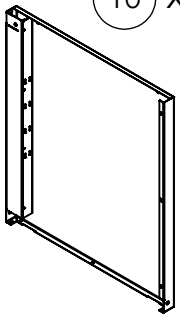
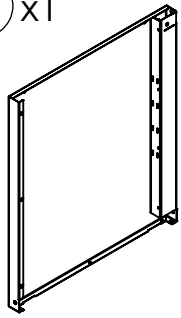
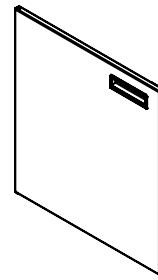
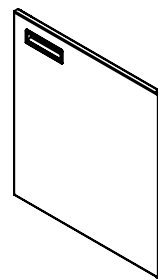
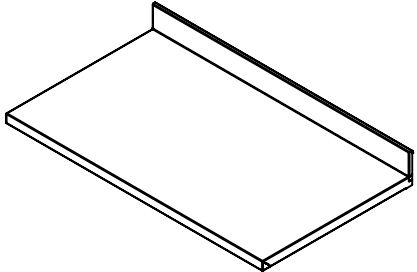
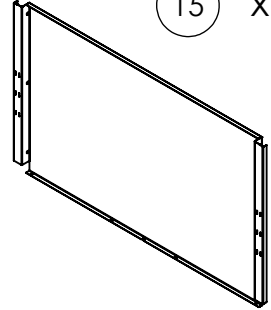
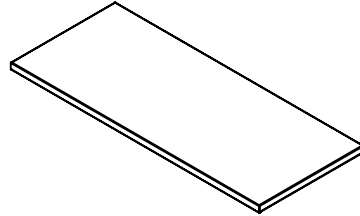
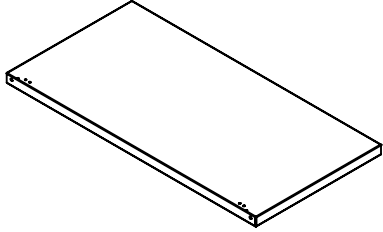
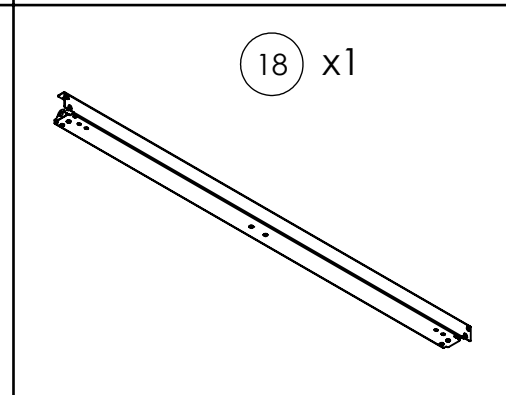
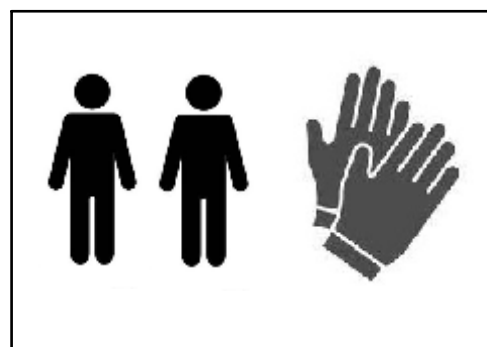
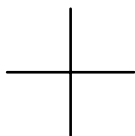
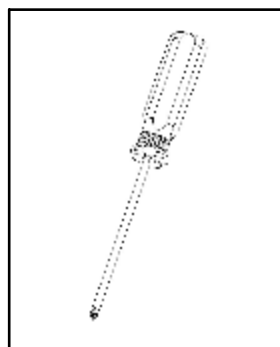
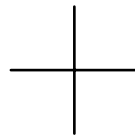
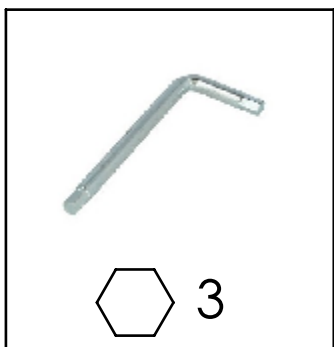


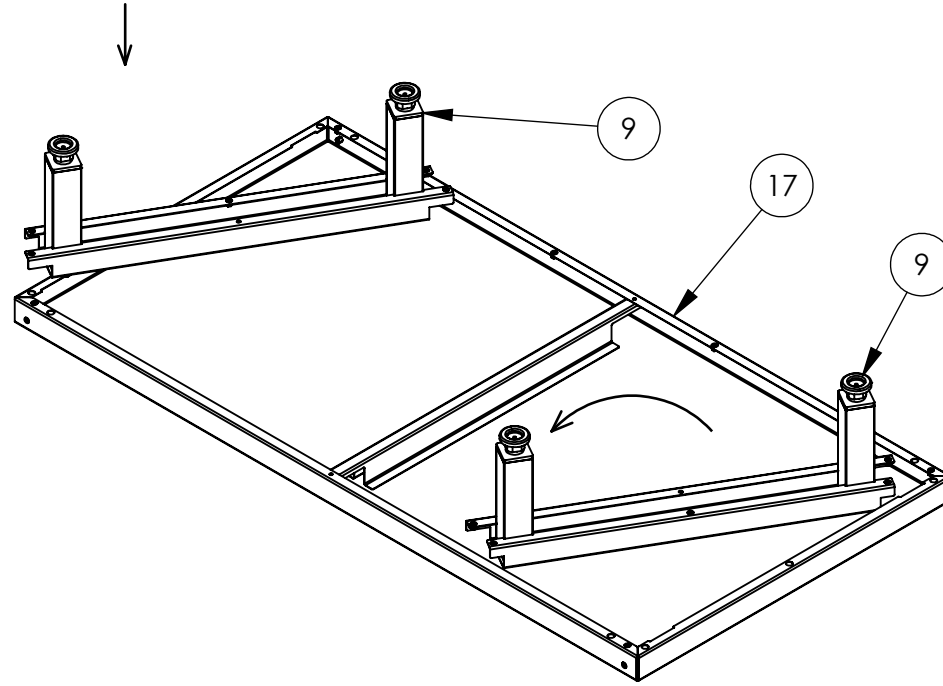
<p>1 x1</p> 	<p>2 x4</p> 	<p>3 x1 ≤600 x2 >600</p> 	<p>4 x1 ≤600 x2 >600</p> 	<p>5 x2 ≤600 x4 >600</p> 	<p>6 x1</p> 	<p>7 x1</p> 	<p>8 x40 =400 x41 =600 x46 >600</p> 
---	---	---	--	---	---	---	--

<p>9 x2</p> 	<p>10 x1</p> 	<p>11 x1</p> 	<p>12 x1</p> 	<p>13 x1</p> 
---	--	--	--	--

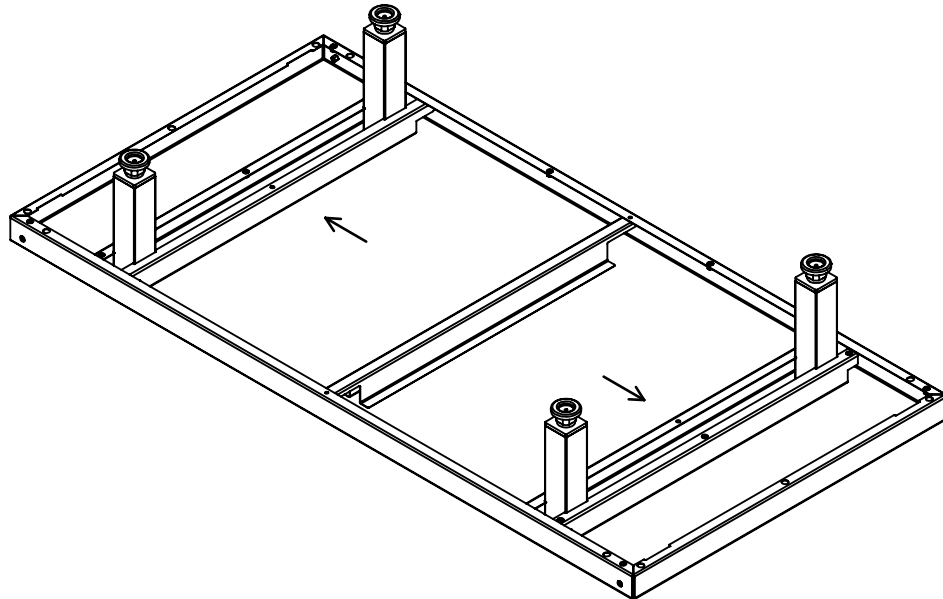
<p>14 x1</p> 	<p>15 x1</p> 	<p>16 x1</p> 	<p>17 x1</p> 
---	---	---	---



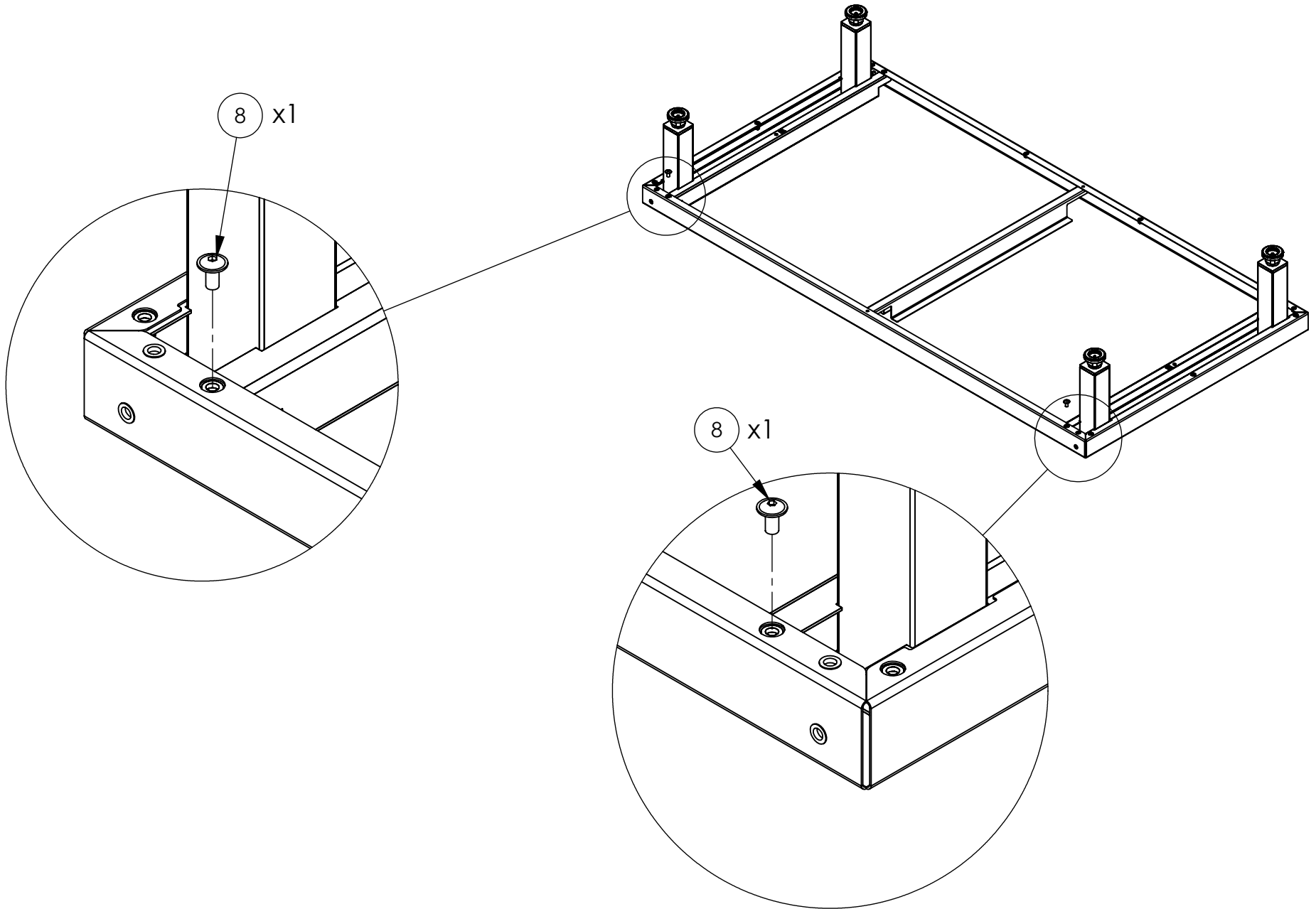
1



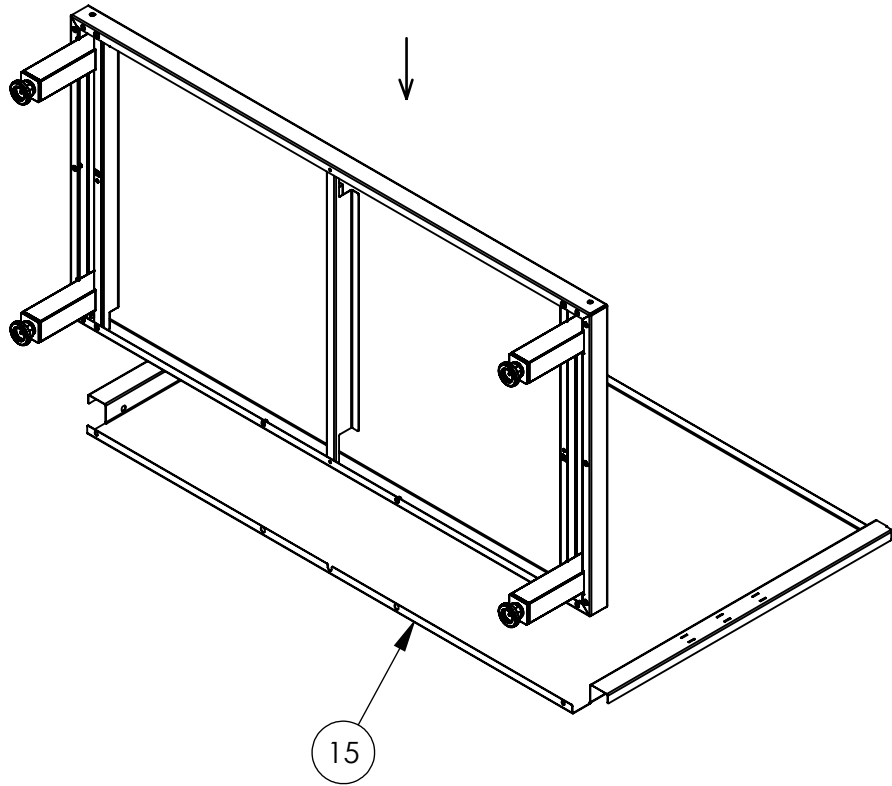
2



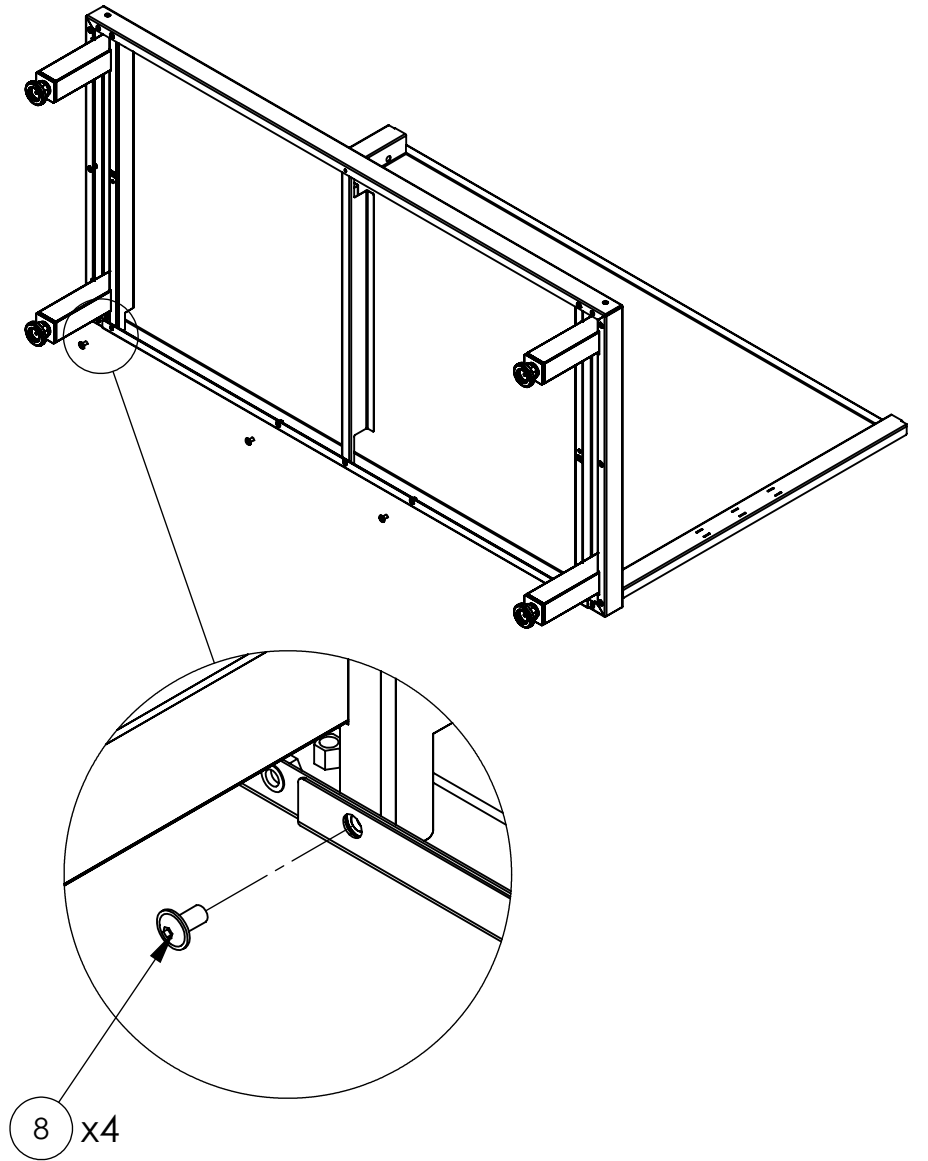
3



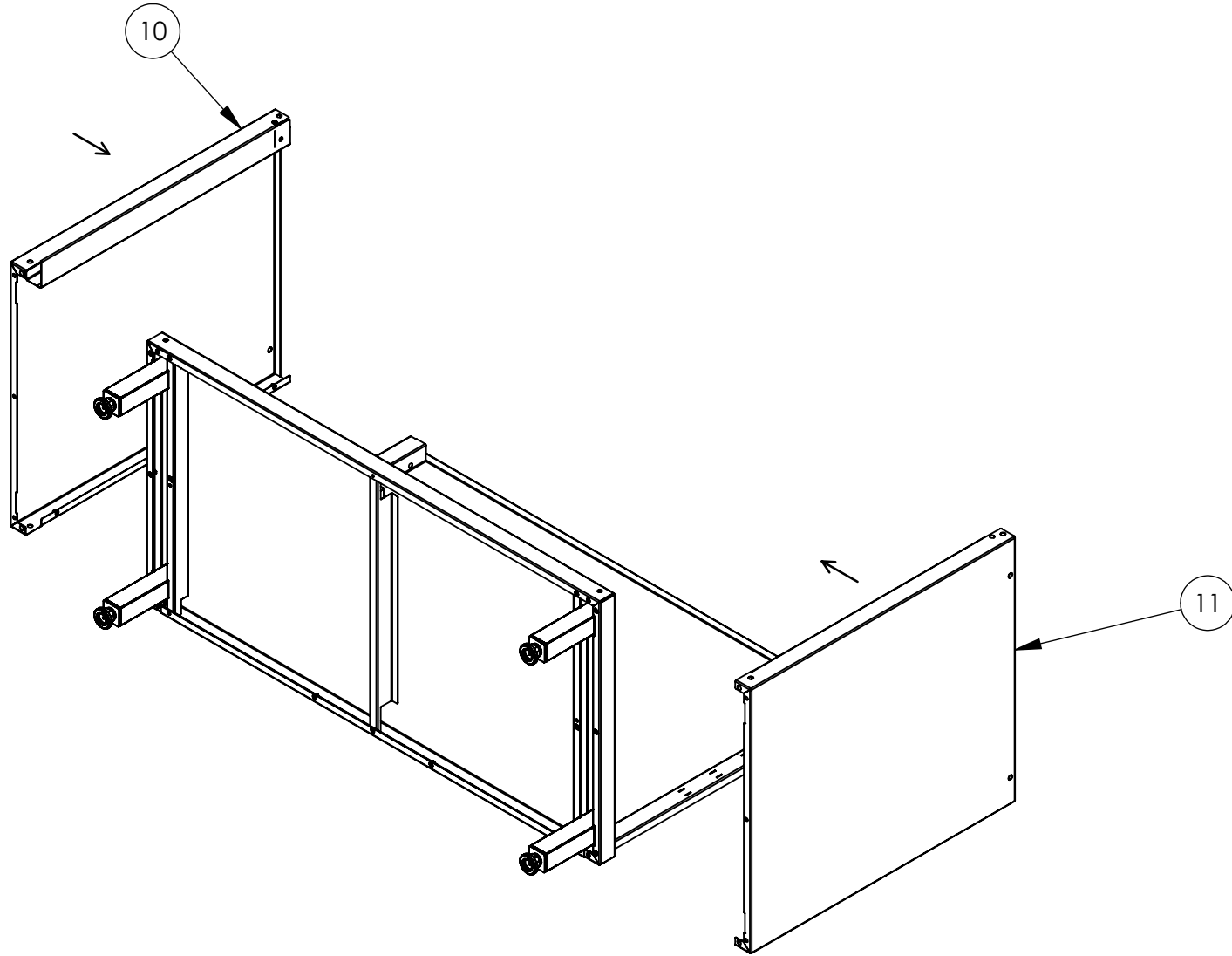
4



5

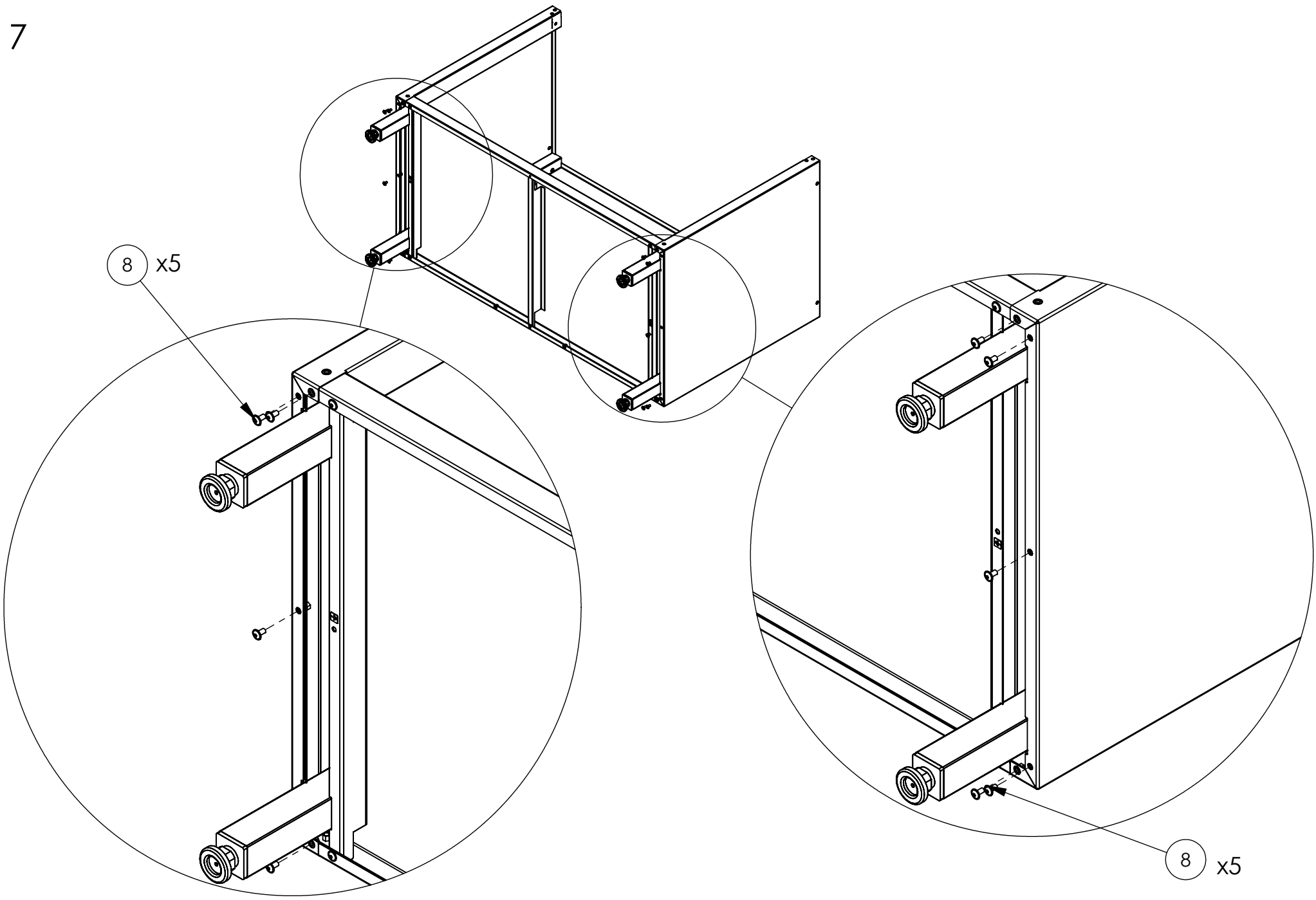


6



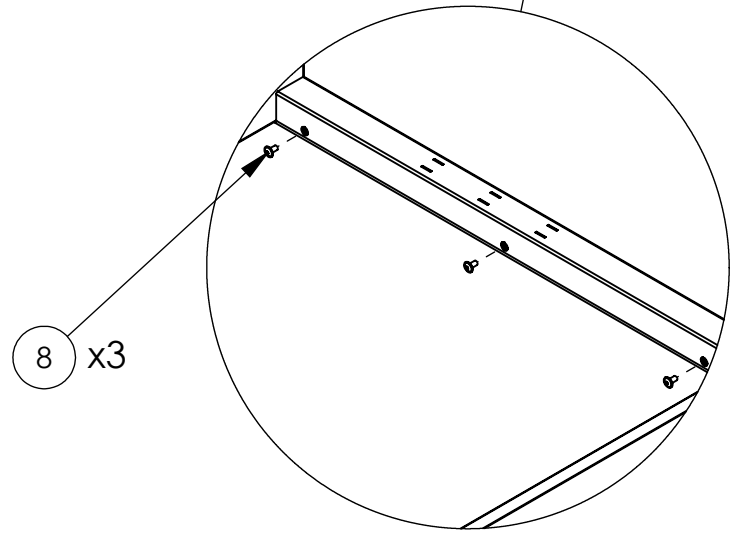
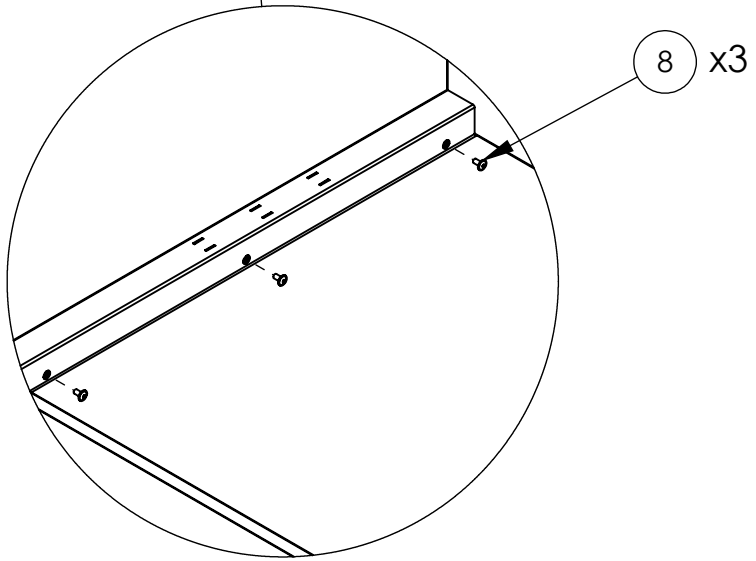
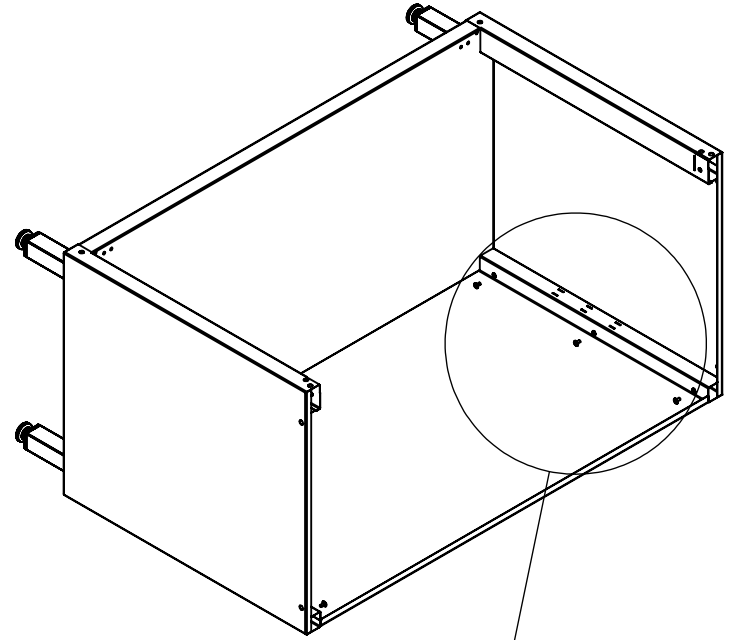
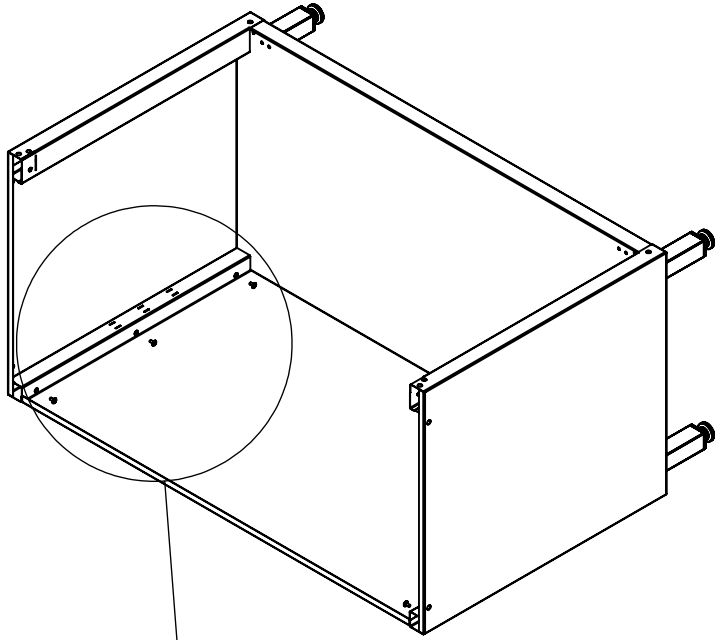
7

8 x5

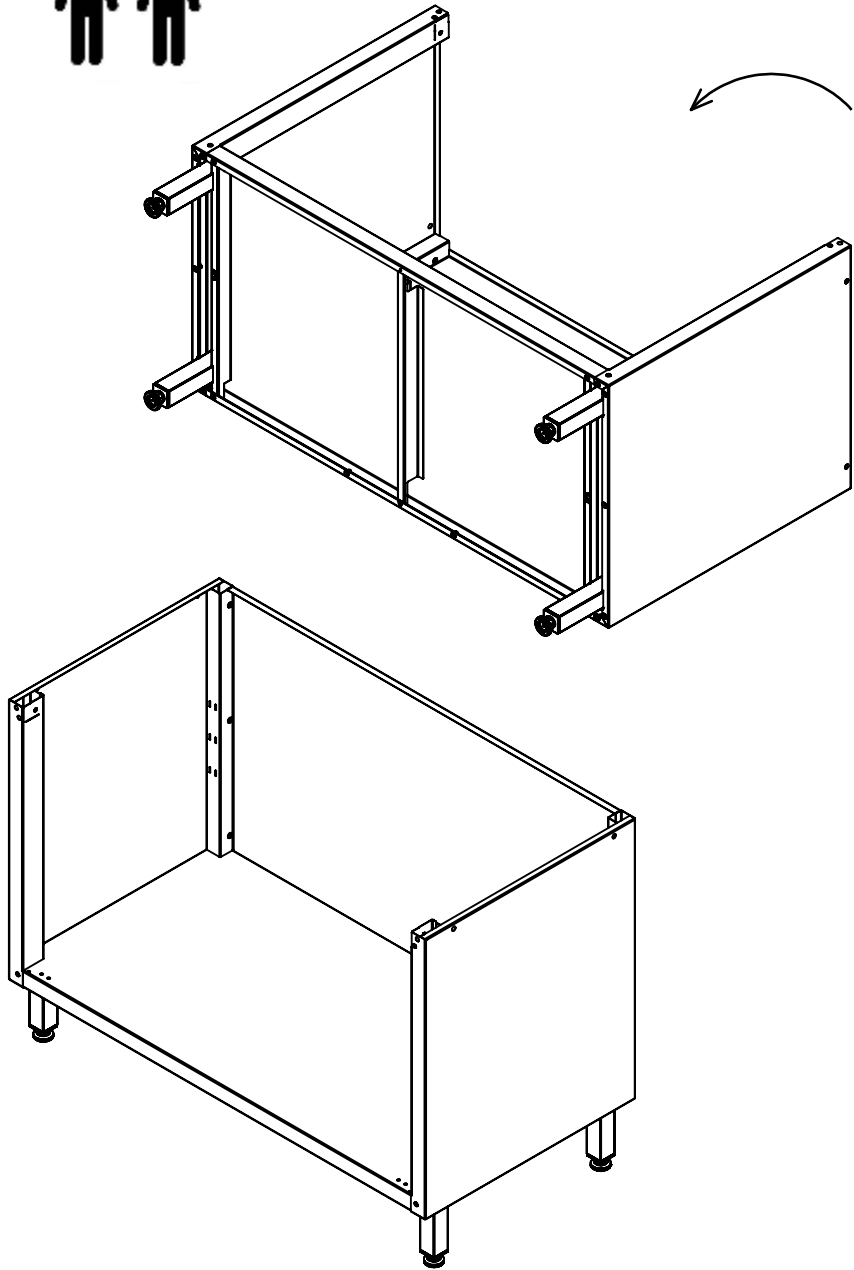


8 x5

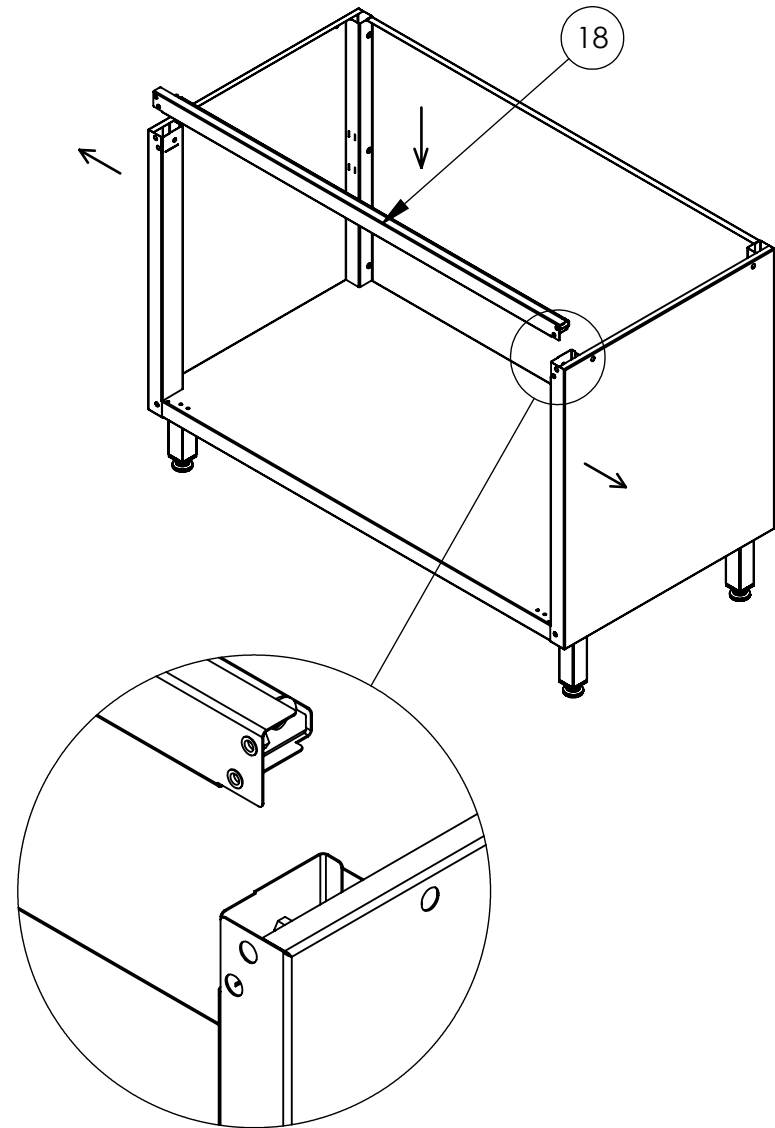
8



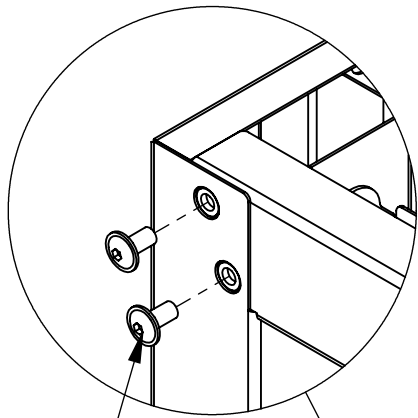
9



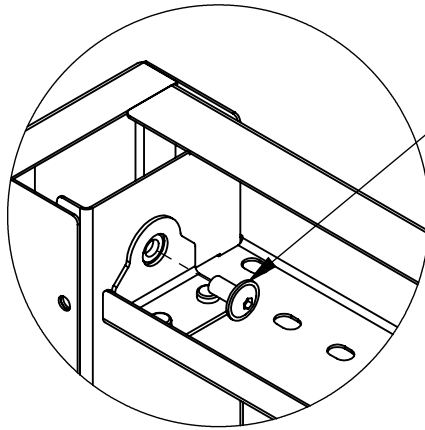
10



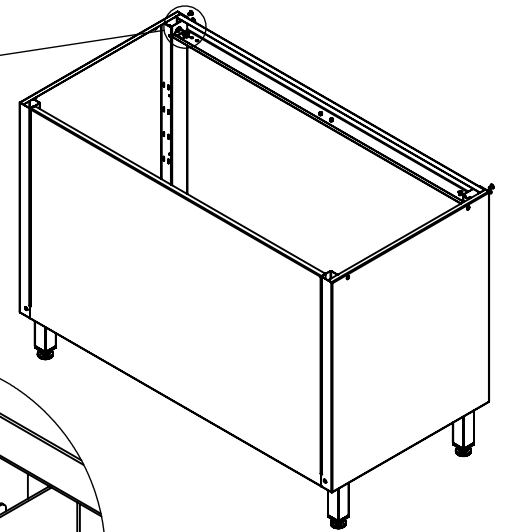
11



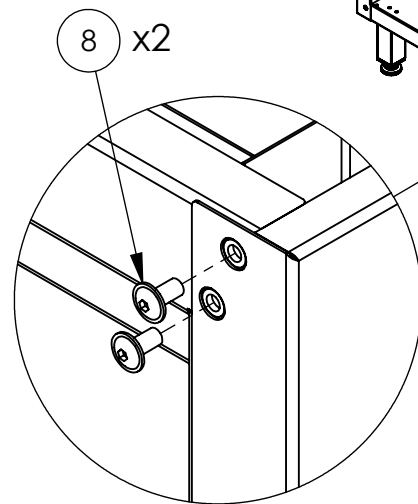
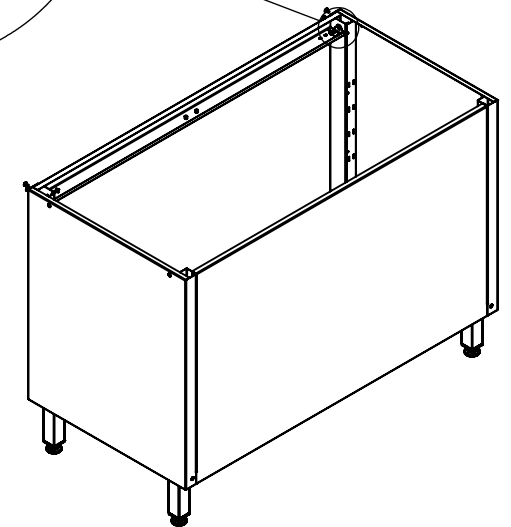
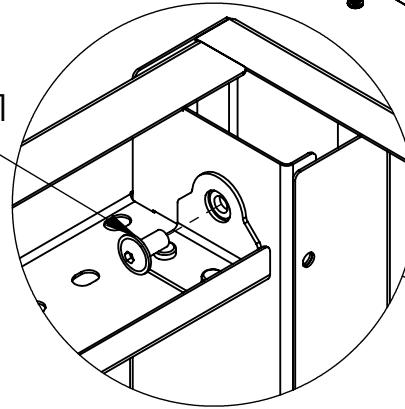
8 x2



8 x1

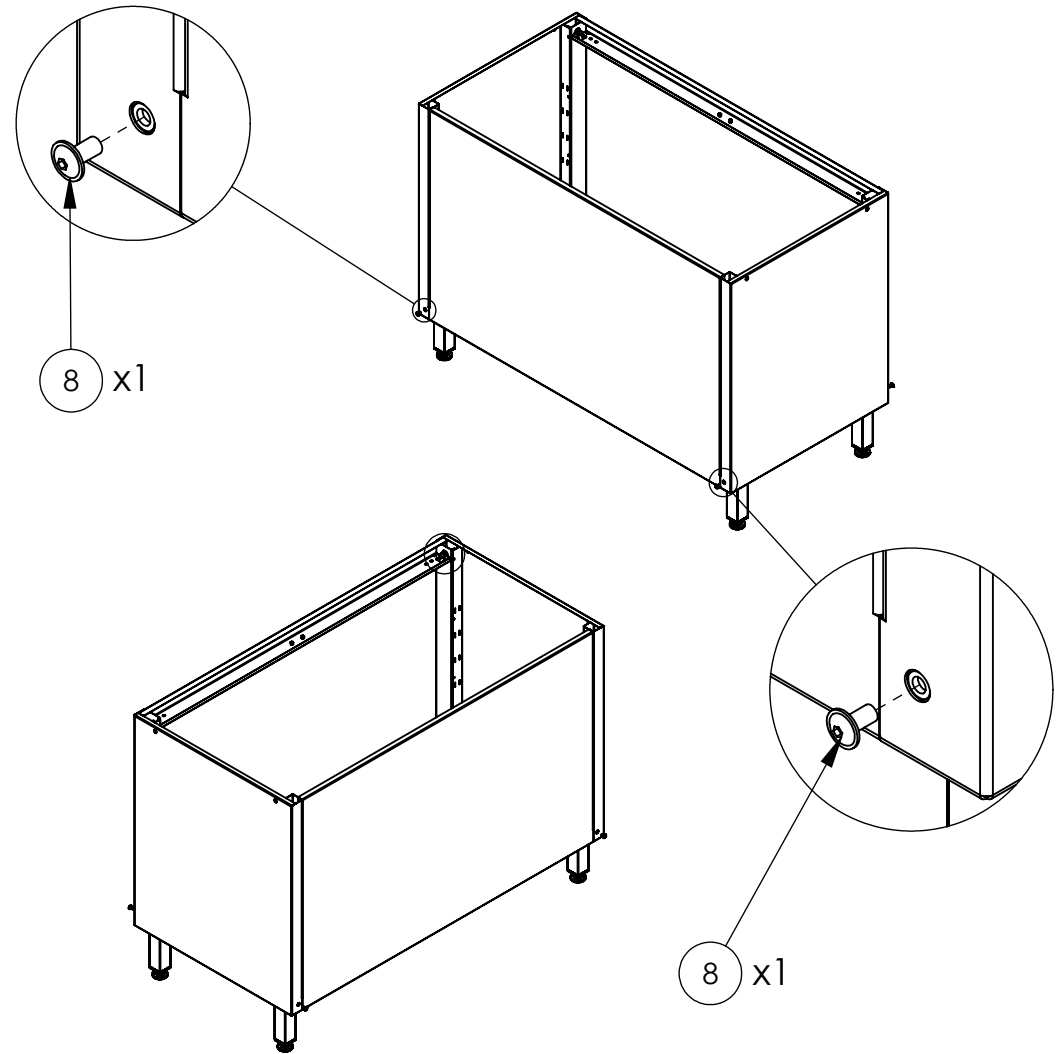
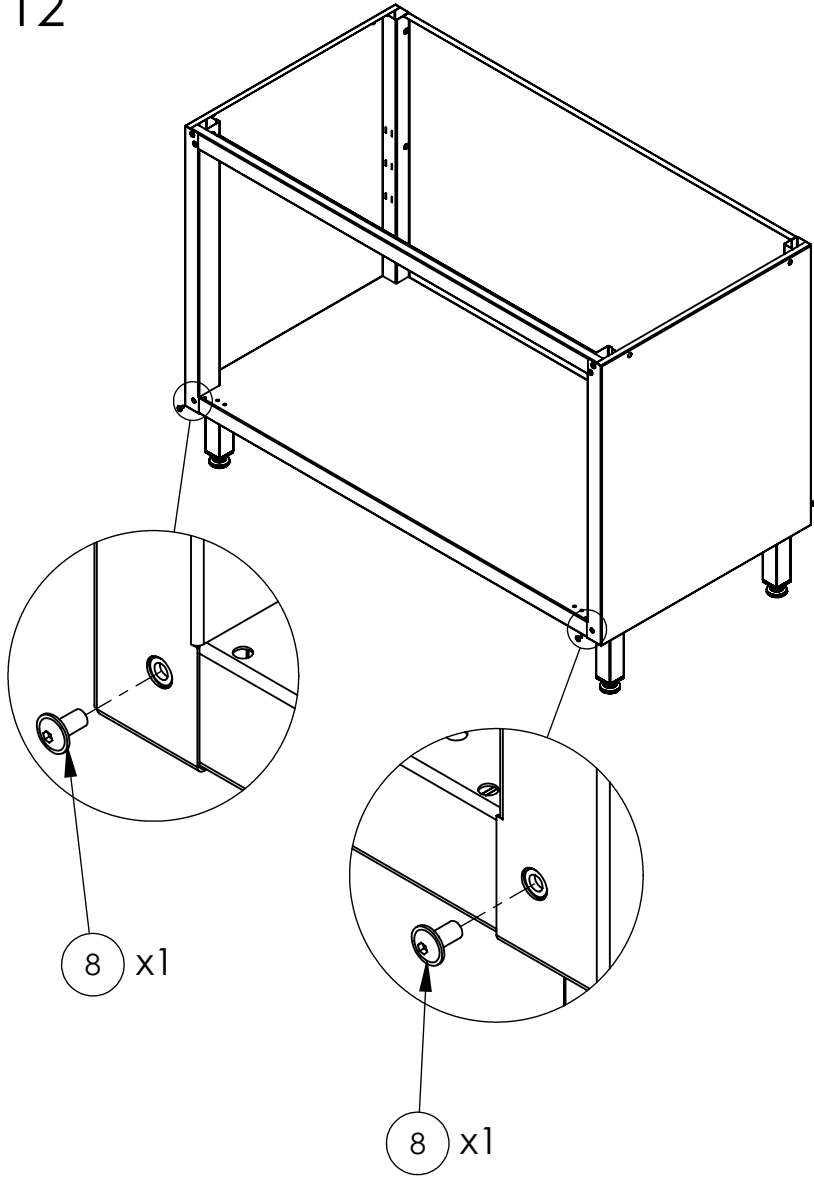


8 x1

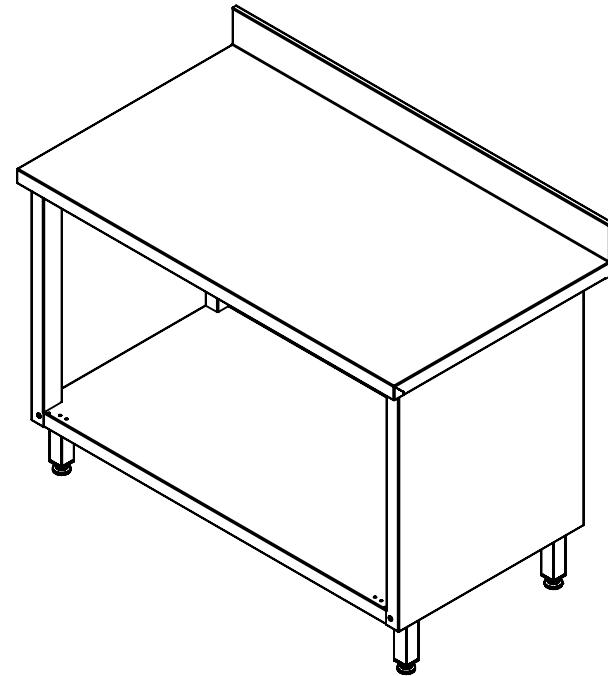
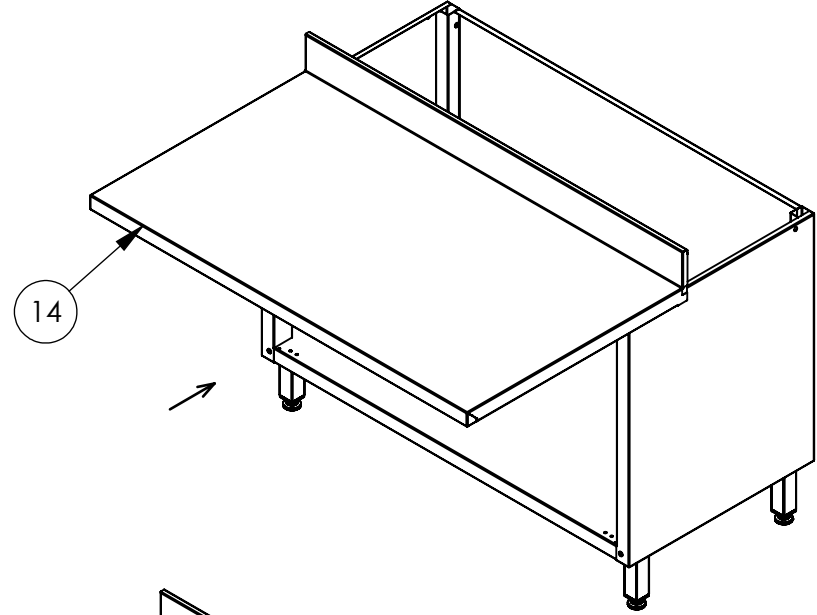
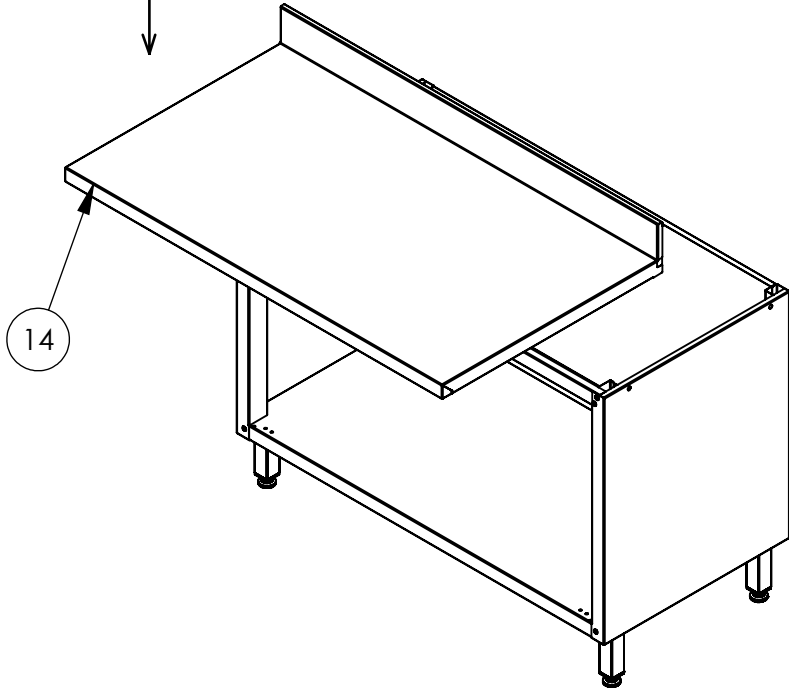


8 x2

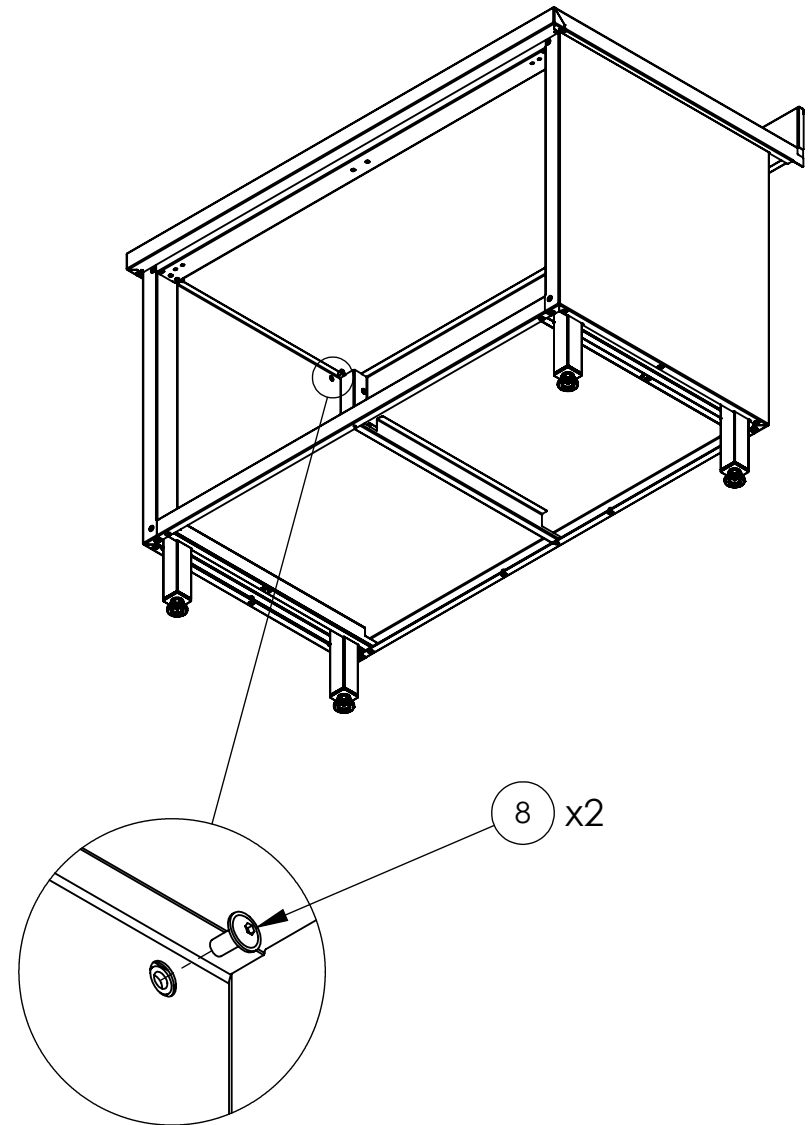
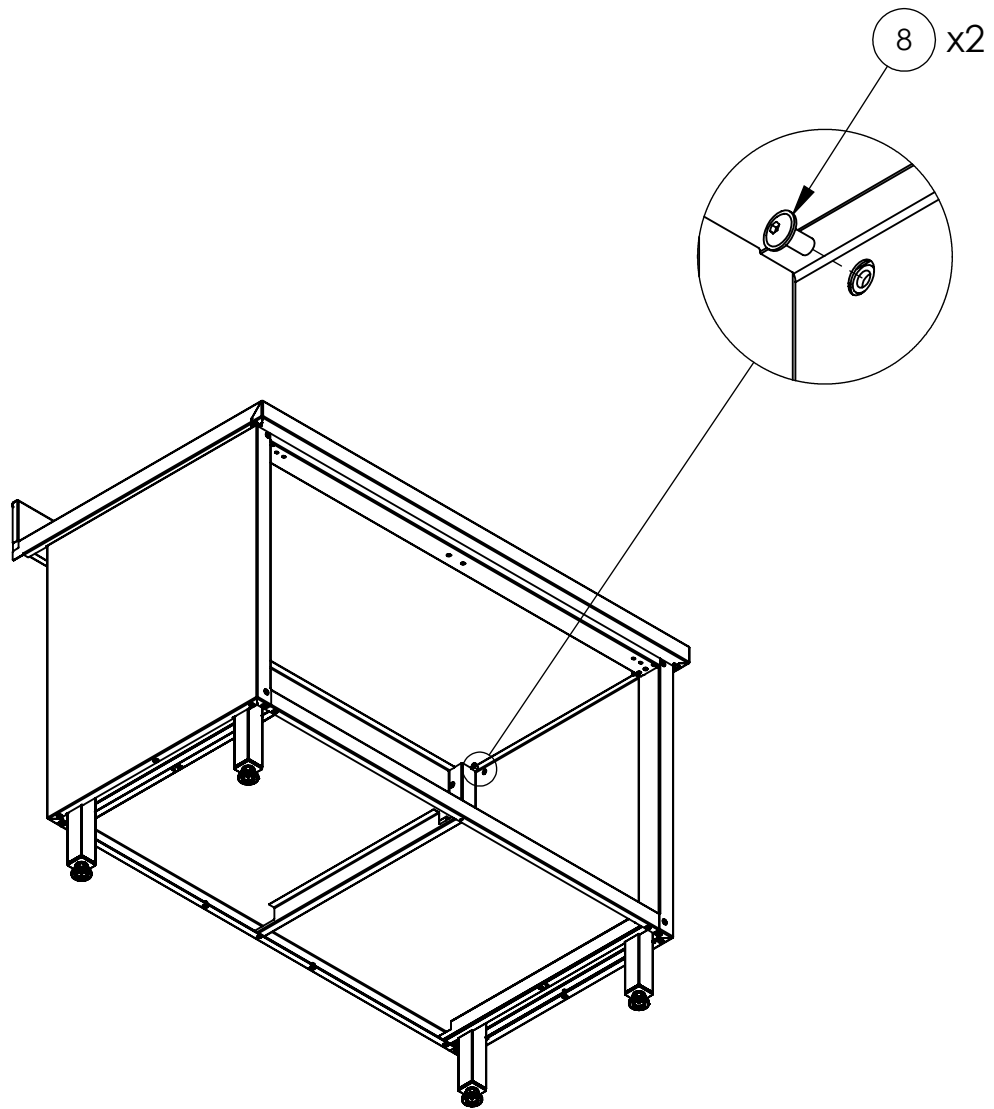
12



13



14

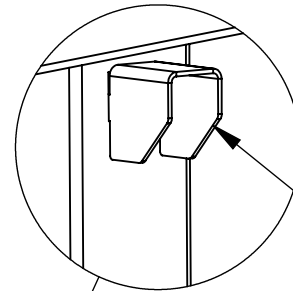
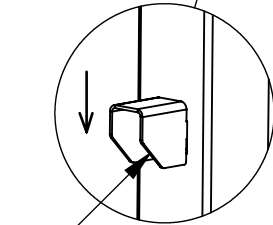
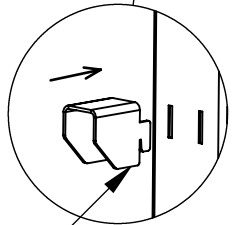
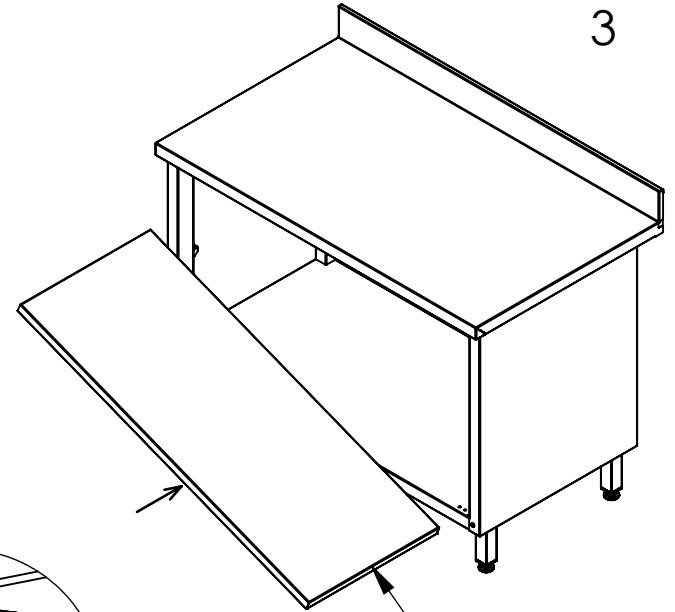
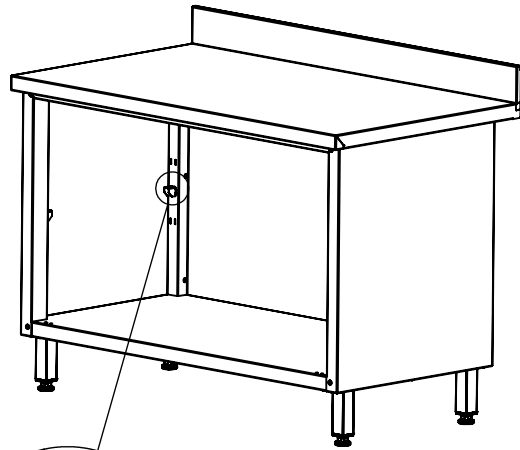
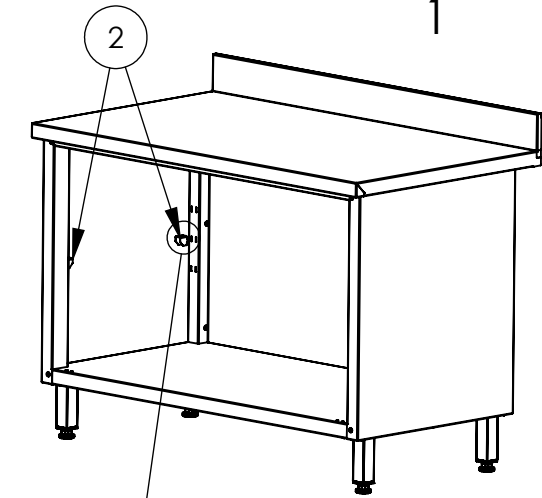


15

1

2

3



2 x2

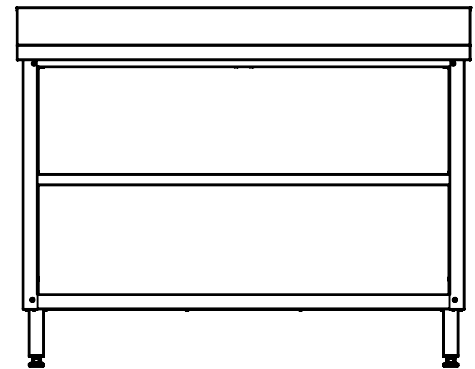
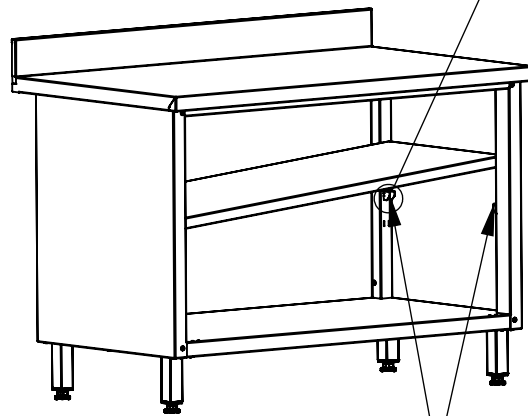
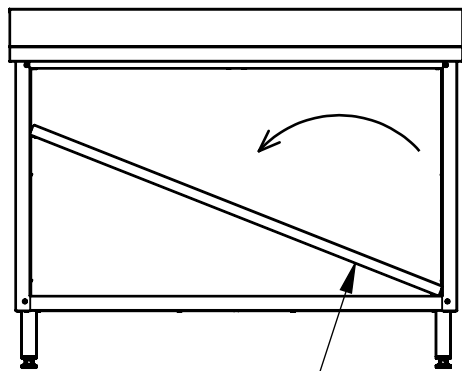
2 x2

2 x2

4

5

6



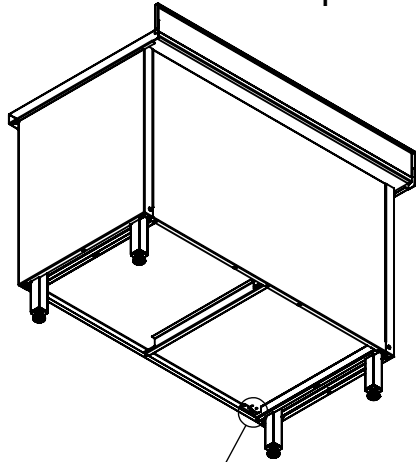
16

2

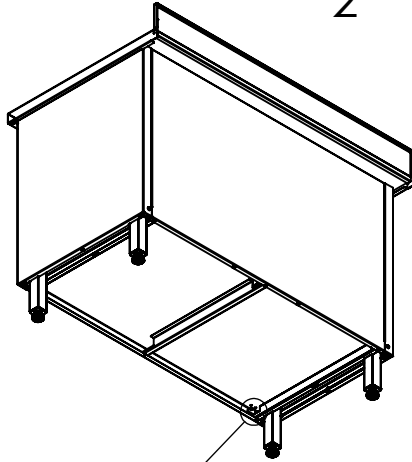
16

16

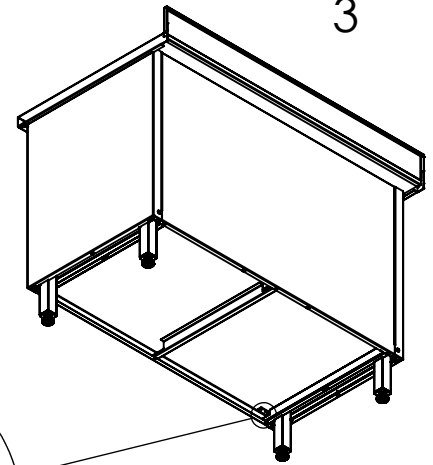
1



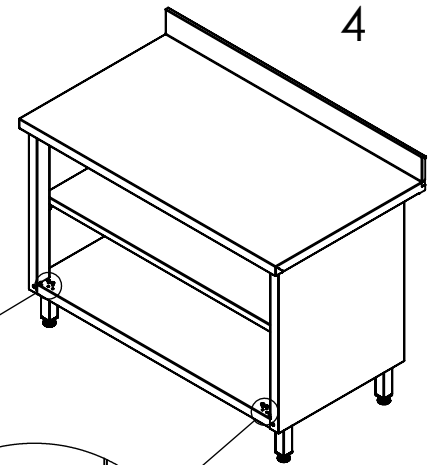
2



3



4



3

3

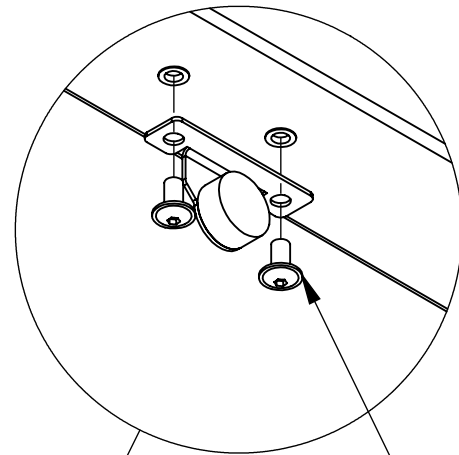
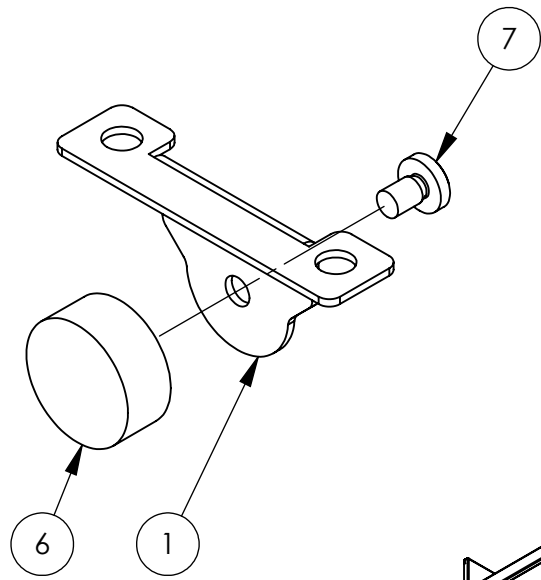
3

3

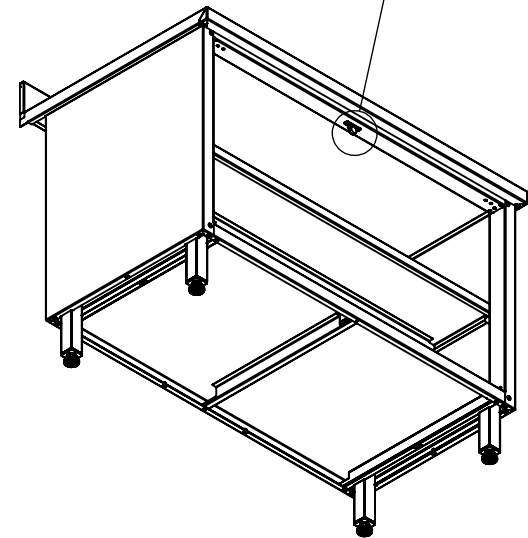
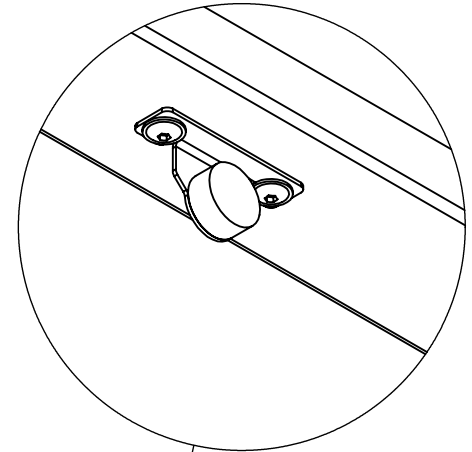
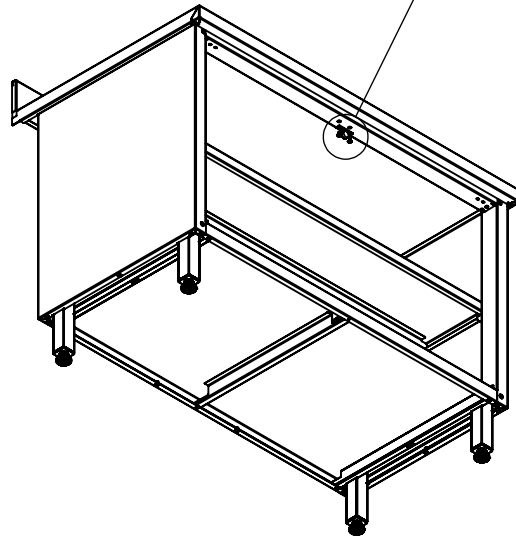
8 x2

8 x2

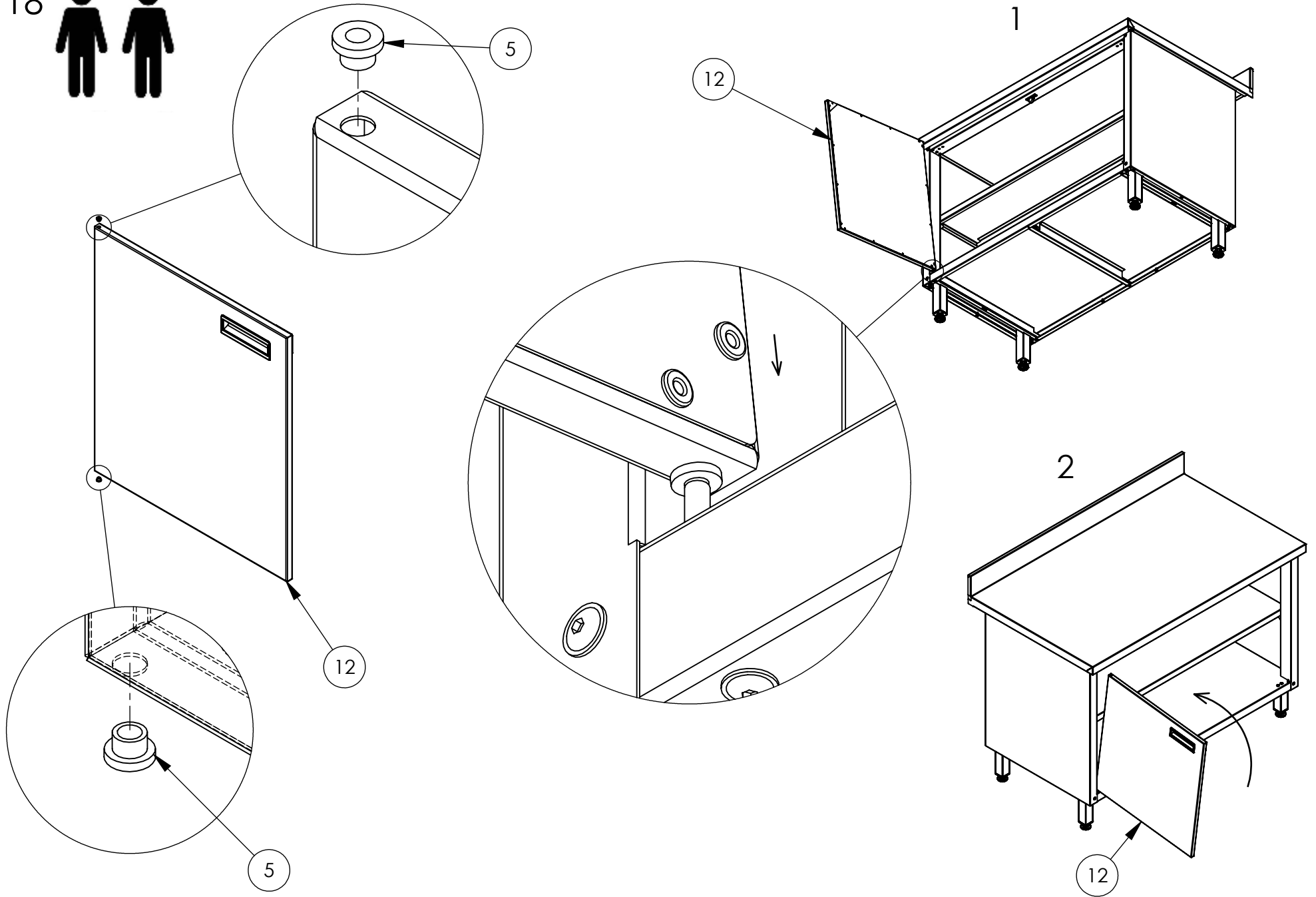
4



8 x2



18



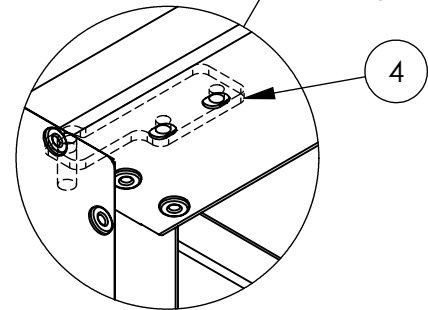
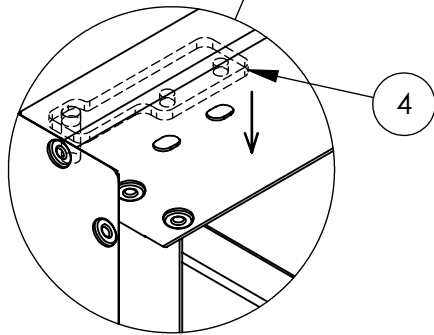
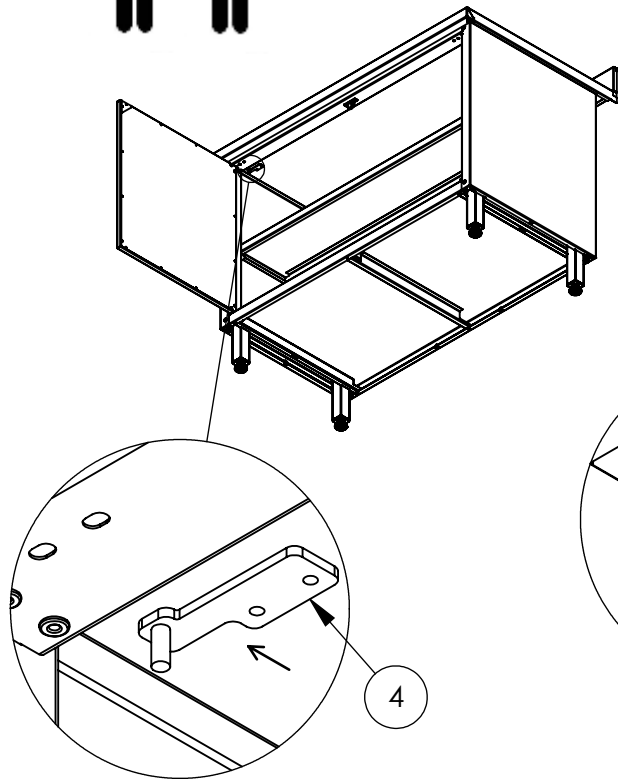
19



3

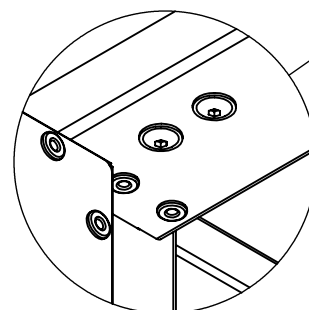
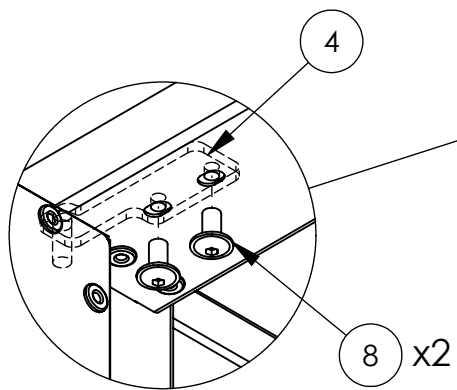
4

5

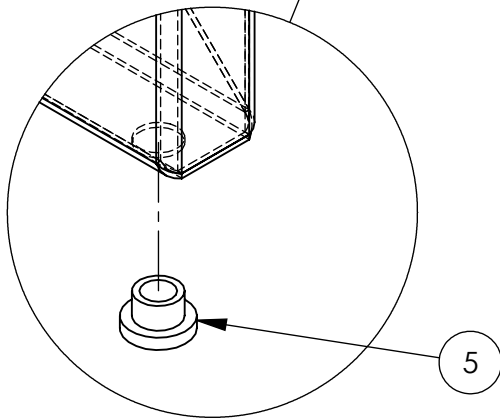
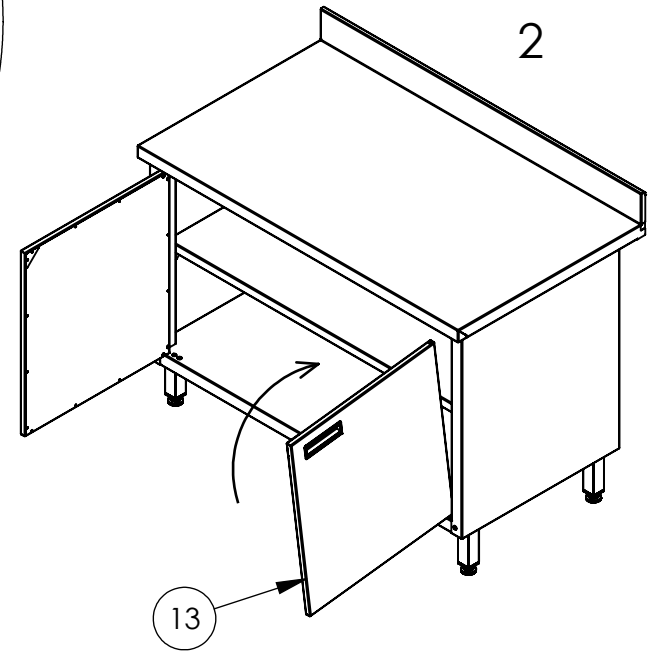
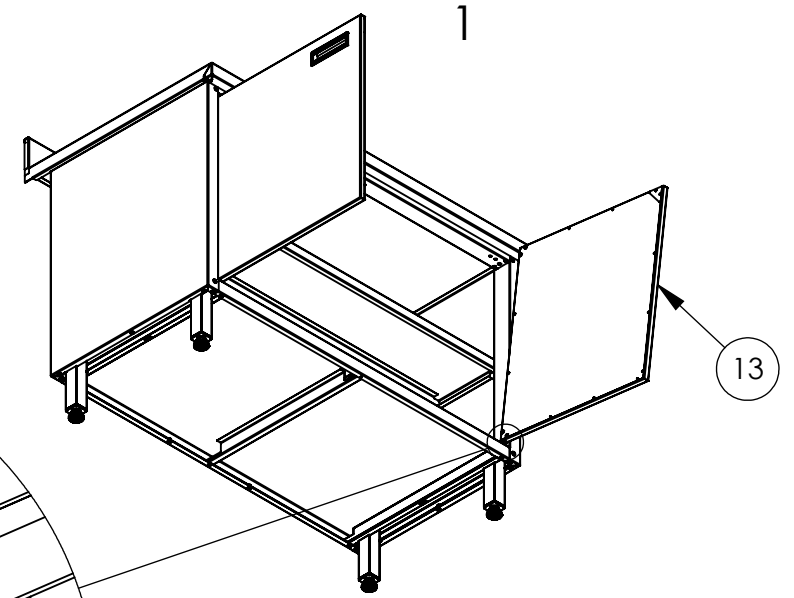
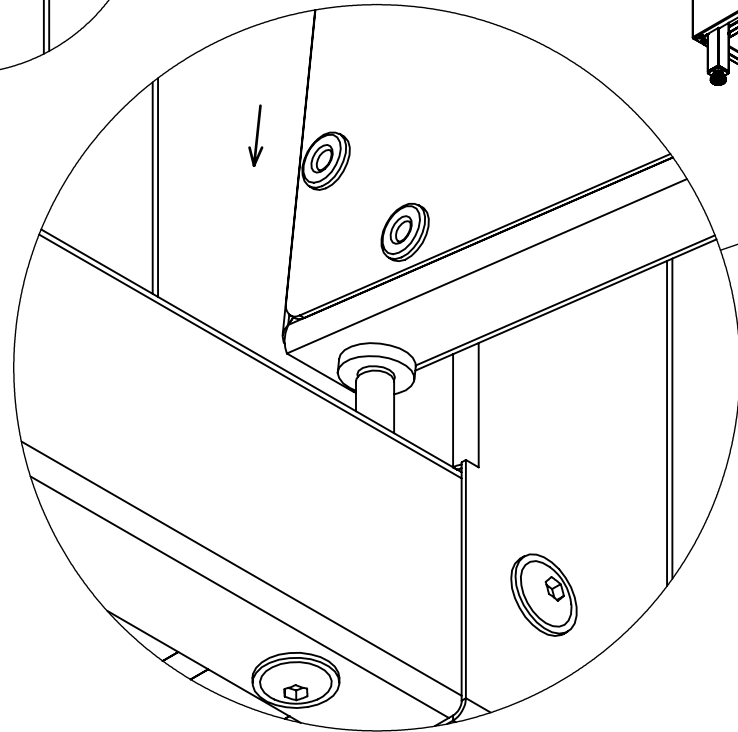
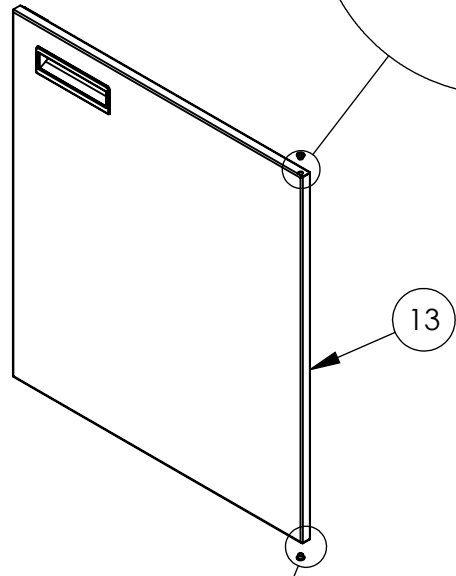
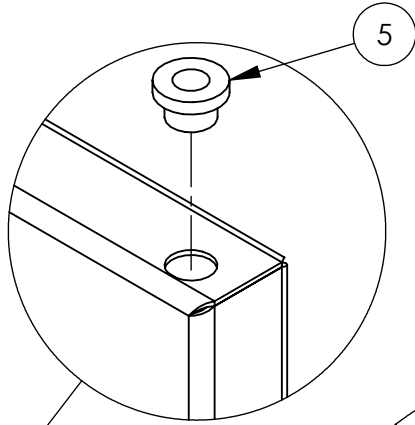


7

6



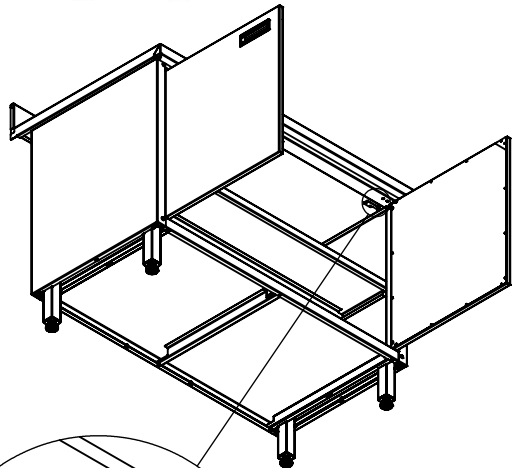
20



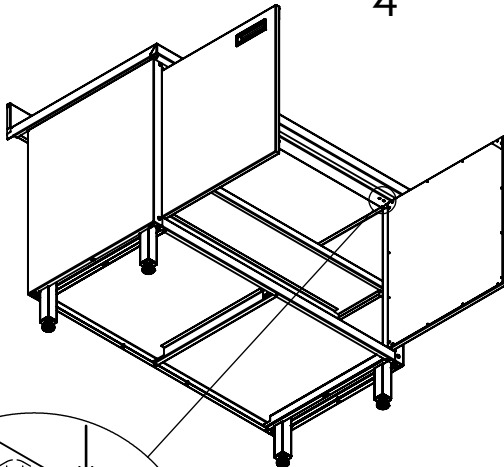
21



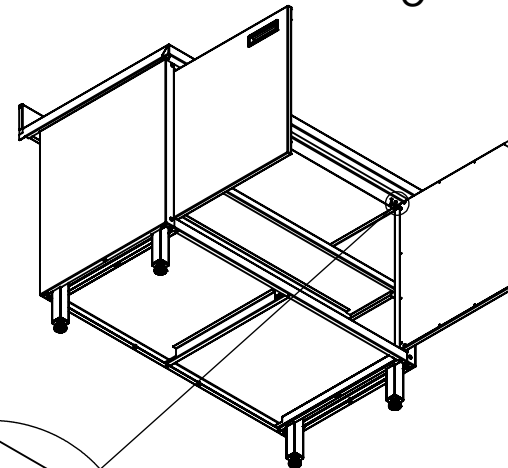
3



4



5

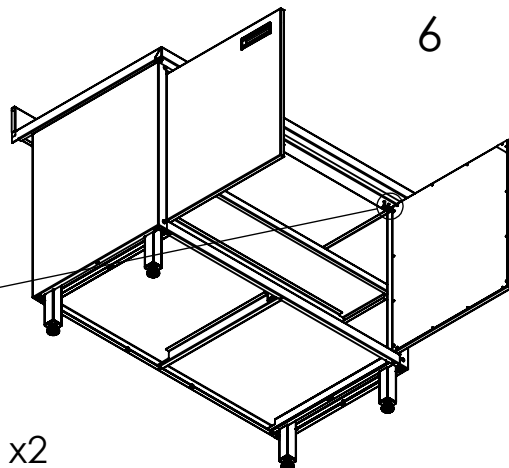


3

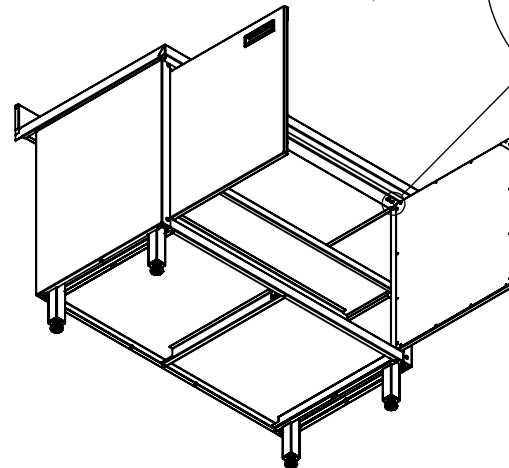
3

3

6



7



3

8 x2

22

